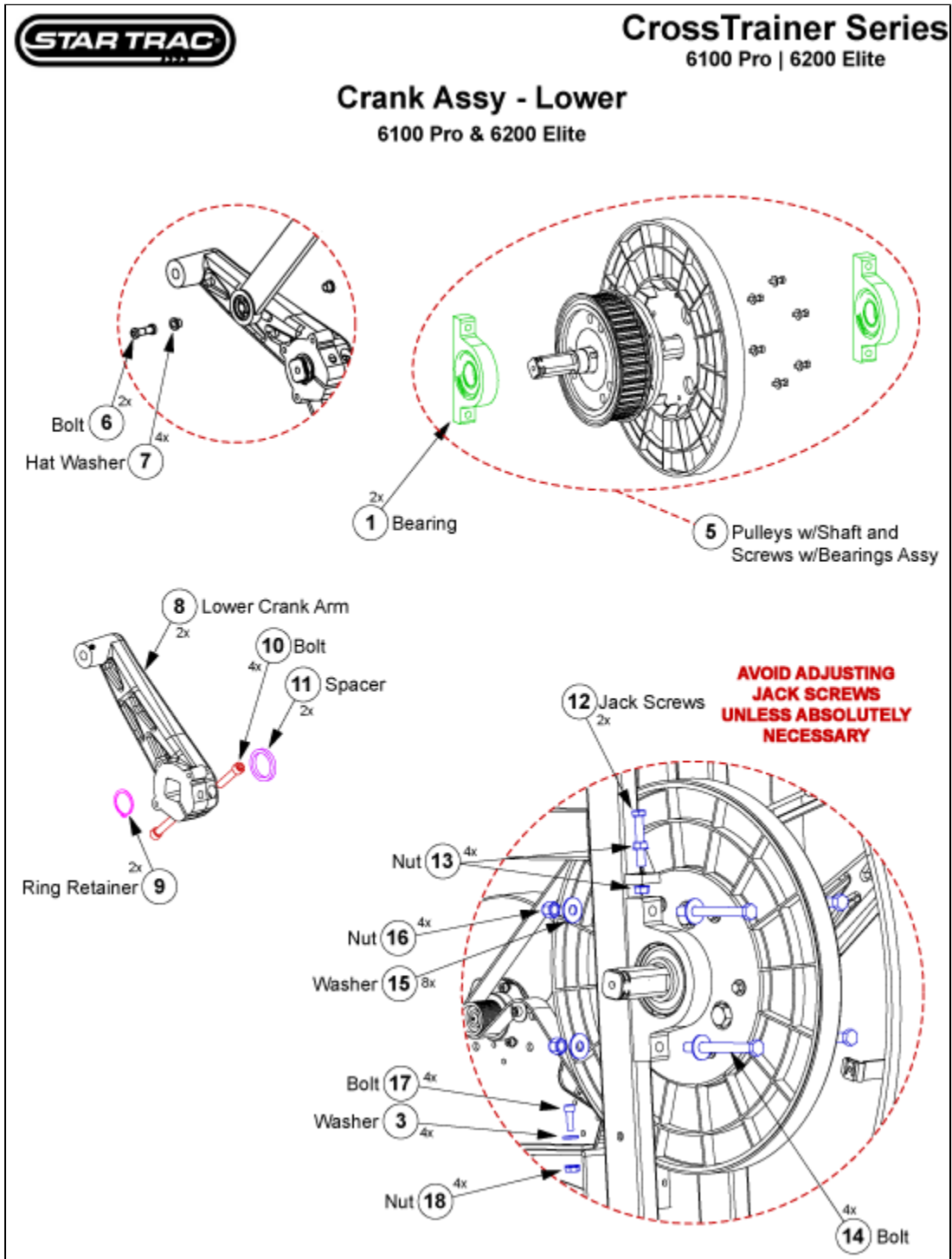


Product ID: 27 • Diagram ID: 121

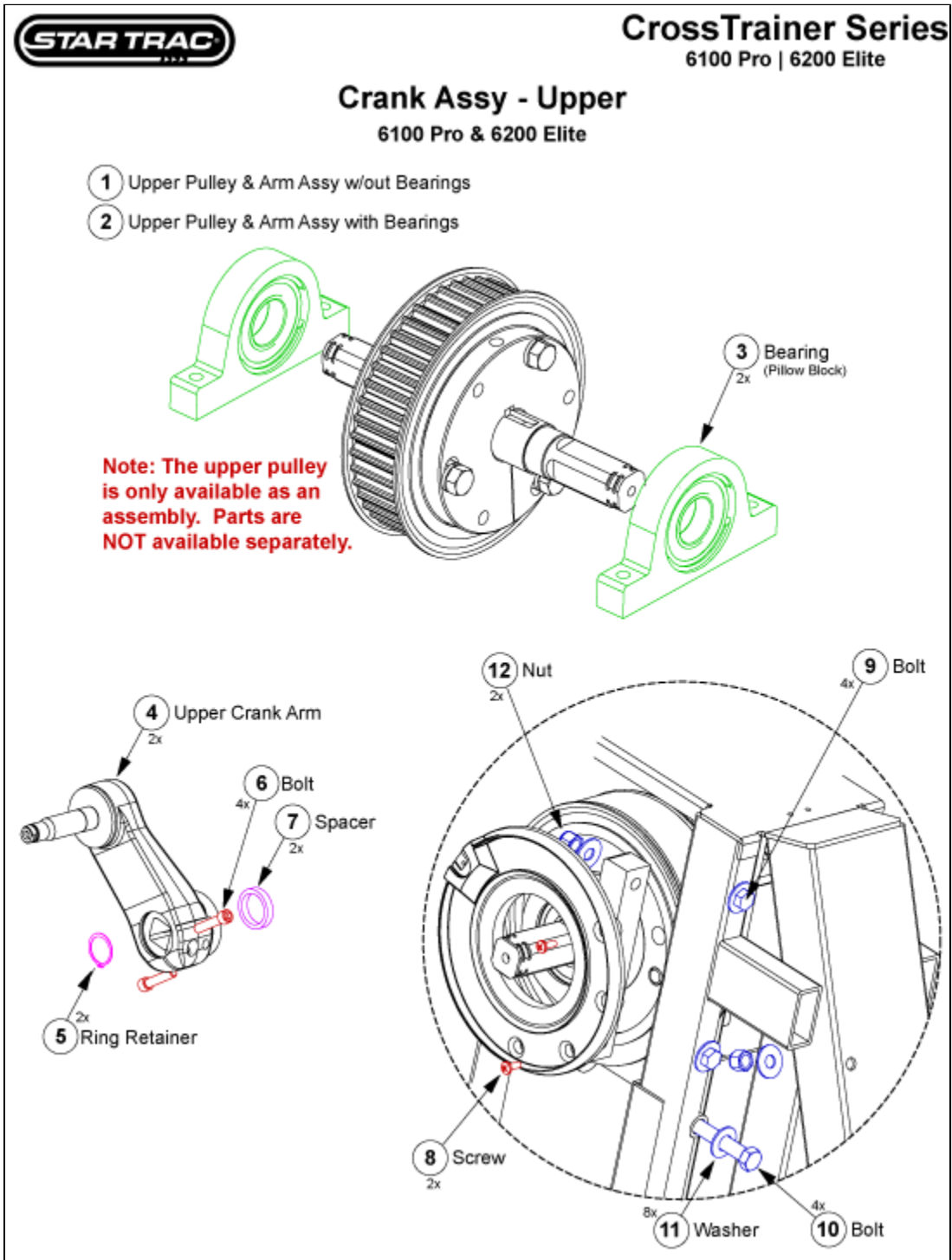
# Belts

Callout	Part Number:	Description
1	<b>130-1732</b>	Belt, 580j10, Poly Vee
2	<b>130-1714</b>	<b>BELT, TIMING</b> HT,1890-14M-40XP



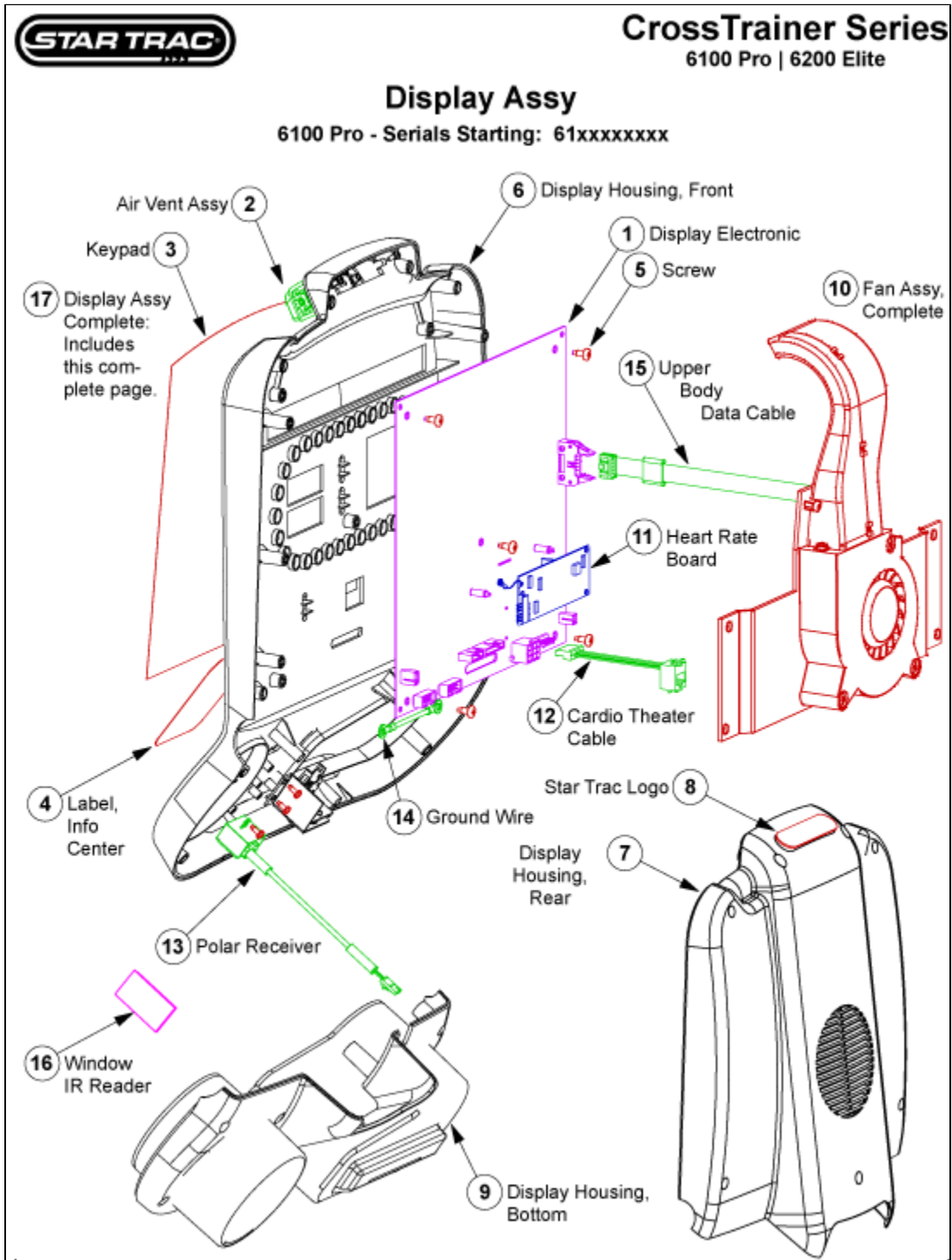
# Crank Assy - Lower

Callout	Part Number:	Description
1	130-1721-KT	Kit, Pillow Block, 35mm Spher
5	721-0121	*Use # 721-1100 & 721-1101
6	110-3313	Bolt, <i>Mlt</i> Assy, 24mm Span, 7.9mm
7	020-6781	Washer, Hat, Ub Linkage
8	020-6566	Crank, Arm 8.7", El6200
9	140-3309	Ring, Retaining, Ext, 1.250"
10	110-3297	Bolt, 3/8-16x1.75, Shc,hk,cs,b
11	120-3294	Spacer, 1-3/8x1-3/4x.220, Nylo
12	110-0686	Bolt, 5/16-18x2.0" Hhcs all Thd
13	110-1870	Nut, 5/16-18
14	110-0610	Bolt, 1/2-13x2.5" Hhcs
15	120-0463	Washer, 3/8x1.0" Flat
16	110-1830	Nut, 3/8-16 Hex, nyloc
17	110-0490	Bolt, 1/4-28x3/4,shc,he,cs,zi
18	110-3301	Nut, 1/4-28, Hex Serrated-tlan



# Crank Assy - Upper

Callout	Part Number:	Description
1	721-0108	*Use # 721-1100 & 721-1101
2	721-1057	*Use # 721-1100 & 721-1101
3	130-1721-KT	Kit, Pillow Block, 35mm Spher
4	721-0109	Assy, Crank Upper Arm, EI6200
5	140-3309	Ring, Retaining, Ext, 1.250"
6	110-3297	Bolt, 3/8-16x1.75, Shc,hk,cs,b
7	120-3294	Spacer, 1-3/8x1-3/4x.220, Nylo
8	110-3341	Bolt, 8-32x3/8, Bhc,he,ss
9	110-0601	Screw, 3/8-16x4.0" Hhcs
10	110-3303	Bolt,7/16-14x3-1/4,shc,he,g8
11	120-0463	Washer, 3/8x1.0" Flat
12	110-1830	Nut, 3/8-16 Hex, nyloc



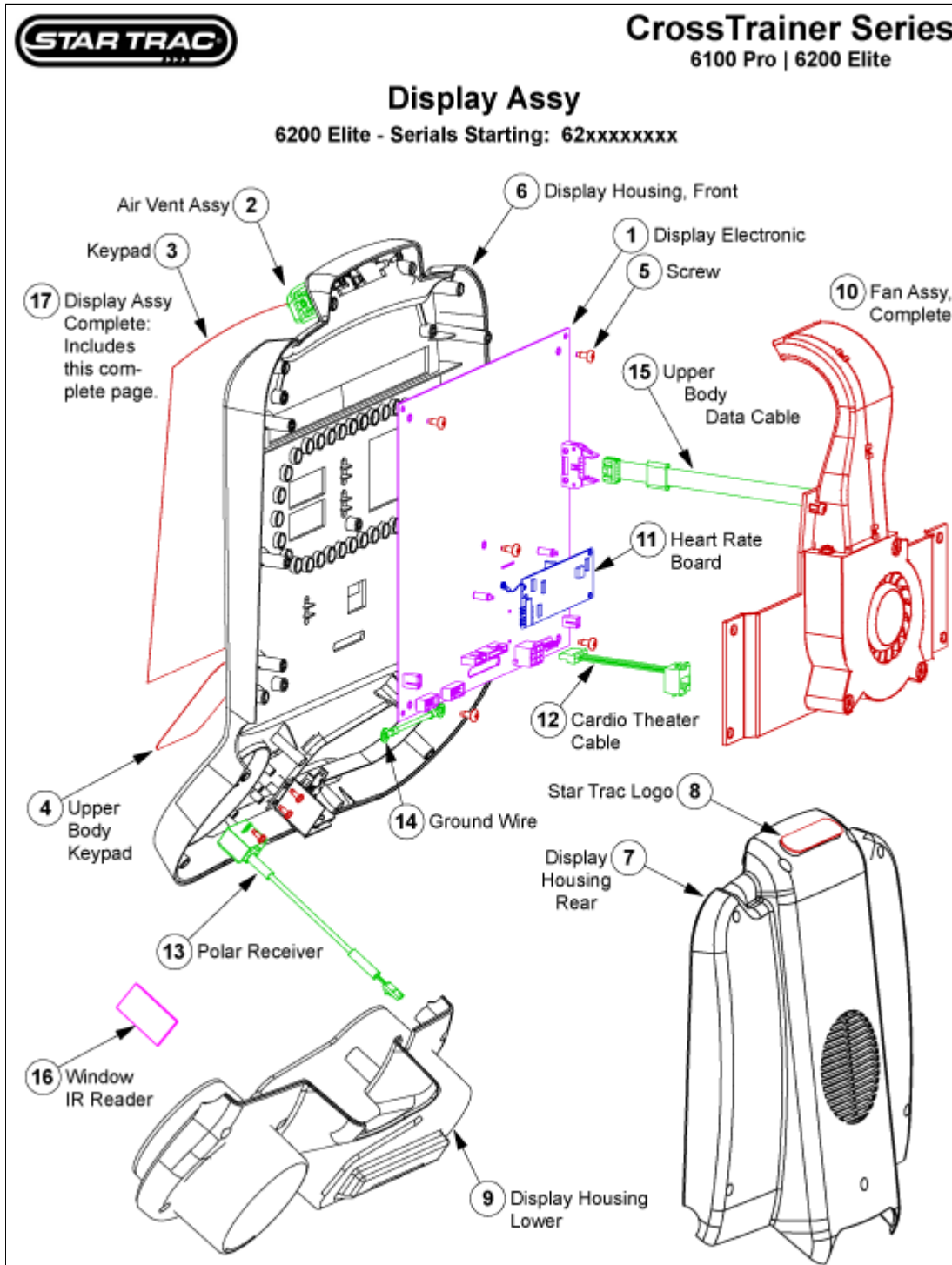
Product ID: 27 • Diagram ID: 124

# Display Assy

## 6100 Pro

Callout	Part Number:	Description
1	718-1108	Disp Elec, PB6k
2	718-1107	Air Vent Louver Assy, w/Screws
3	050-1923	Keypad, Disp 61 00/6200
4	050-1932	Label, Info Center, Universal
5	110-3252	Screw, M4xO.7x1 Ol,pht,ph,cs,bo
6	020-6413	Disp Housing, Front, PB6k
7	020-6411	Disp Housing, Back, PB6k
8	050-1887	Label, Logo, ST, Pro Bike
9	020-6885	Disp Housing, Bottom, PB6k
10	720-5068	Assy, Fan W/bracket,pro Bike
11	718-1129	Pcb, Hr Contact, Ub/rb Pro
12	721-0033	Phone Jack Assy, C-Safe, NR-BK
13	715-3518	ASSY CABLE, POLAR RECEIVER,PRO
14	721-1065	Assy, Harness, Ground, EI6200
15	718-1116	Harness Assy, IR
16	020-6460	Window, Ir Reader
17	721-1067	Assy, Display Elec, EI6100



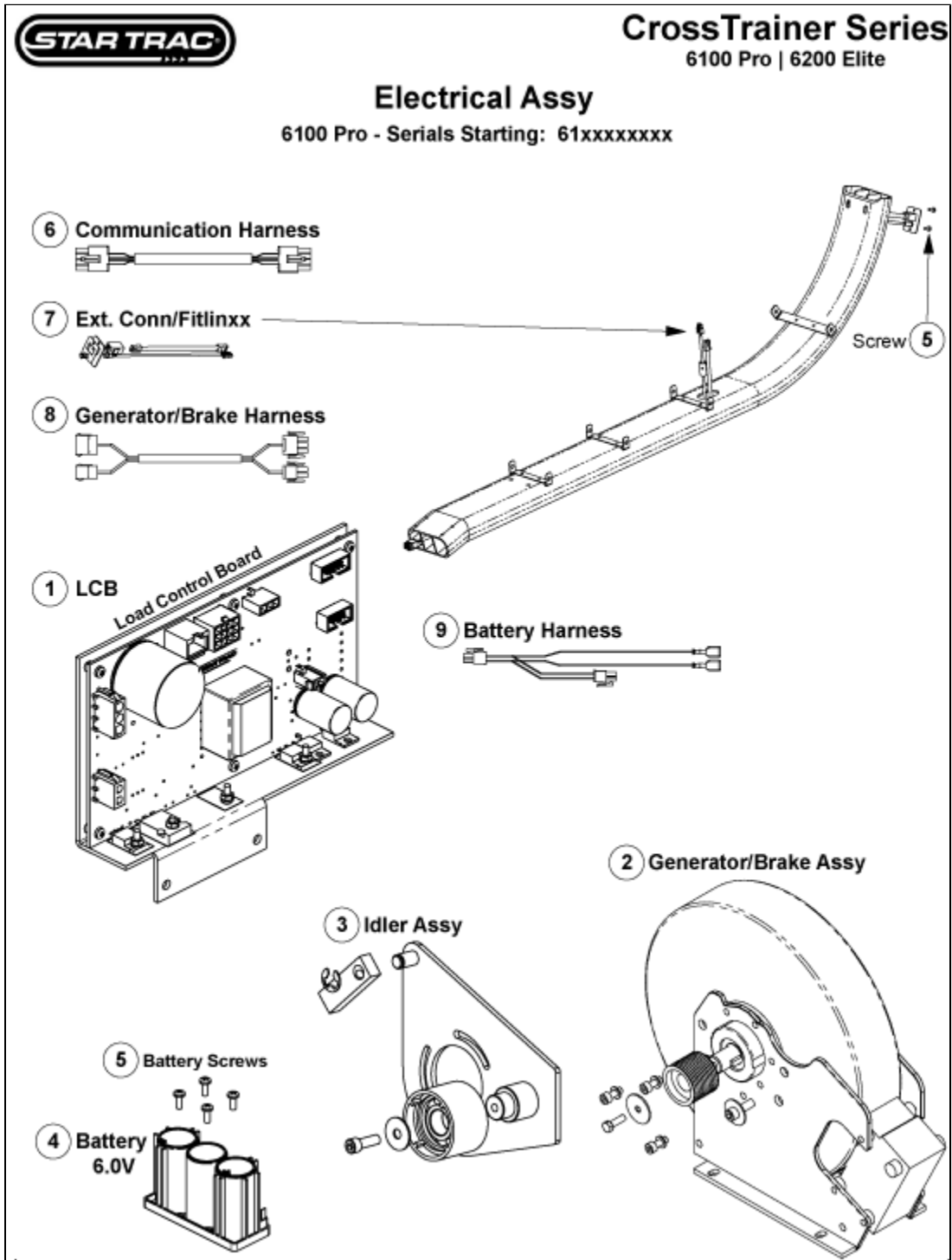


Product ID: 27 • Diagram ID: 125

# Display Assy

## 6200 Elite

Callout	Part Number:	Description
1	718-1108	Disp Elec, PB6k
2	718-1107	Air Vent Louver Assy, w/Screws
3	050-1923	Keypad, Disp 61 00/6200
4	050-1924	Keypad, UpperBody,6200
5	110-3252	Screw, M4xO.7x1 Ol,pht,ph,cs,bo
6	020-6413	Disp Housing, Front, PB6k
7	020-6411	Disp Housing, Back, PB6k
8	050-1887	Label, Logo, ST, Pro Bike
9	020-6885	Disp Housing, Bottom, PB6k
10	720-5068	Assy, Fan W/bracket,pro Bike
11	718-1129	Pcb, Hr Contact, Ub/rb Pro
12	721-0033	Phone Jack Assy, C-Safe, NR-BK
13	715-3518	ASSY CABLE, POLAR RECEIVER,PRO
14	721-1065	Assy, Harness, Ground, EI6200
15	718-1116	Harness Assy, IR
16	020-6460	Window, Ir Reader
17	721-0116	Assy, Display Elec, EI6200

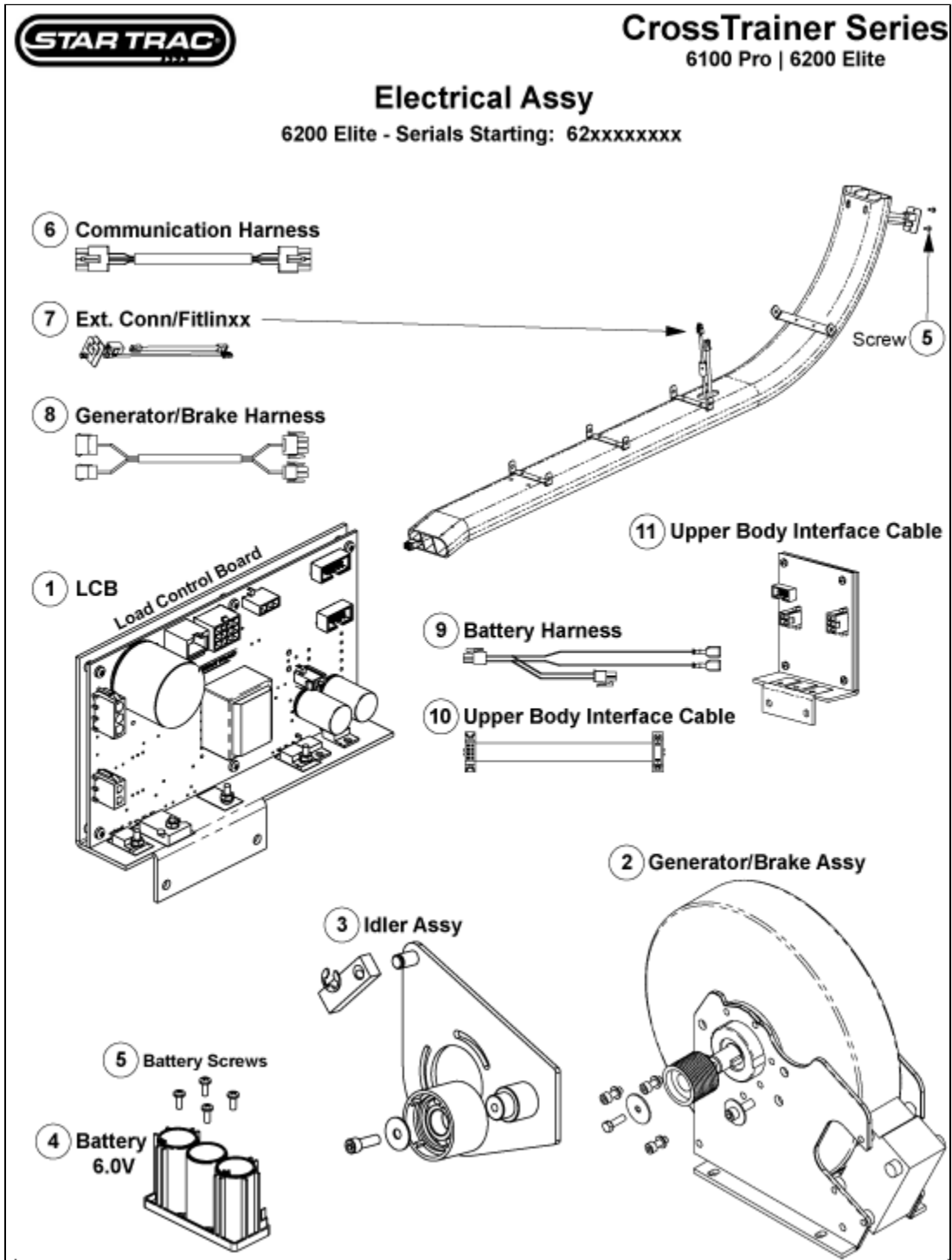


Product ID: 27 • Diagram ID: 126

# Electrical Assy

## 6100 Pro

Callout	Part Number:	Description
1	<b>721-1045</b>	LCB & Shield Kit, Pb6k/EL
2	<b>260-0937-KT</b>	*Alt* Use Part # 260-0939
3	<b>721-1069</b>	Assy, Idler, EI6200
4	<b>580-0305</b>	Battery, 6v, Ee/Nr/PB5k/6k
5	<b>110-3026</b>	Screw, 10-24x3/4" Phtcs
6	<b>721-0119</b>	Harness Assy, Comm, 6100/6200
7	<b>721-0123</b>	Assy, Ext Connectivity, EI6200
8	<b>721-1083</b>	Assy, Harness, Gen/brake, Ext
9	<b>721-1046</b>	Assy, Harness, Battery, EI6200

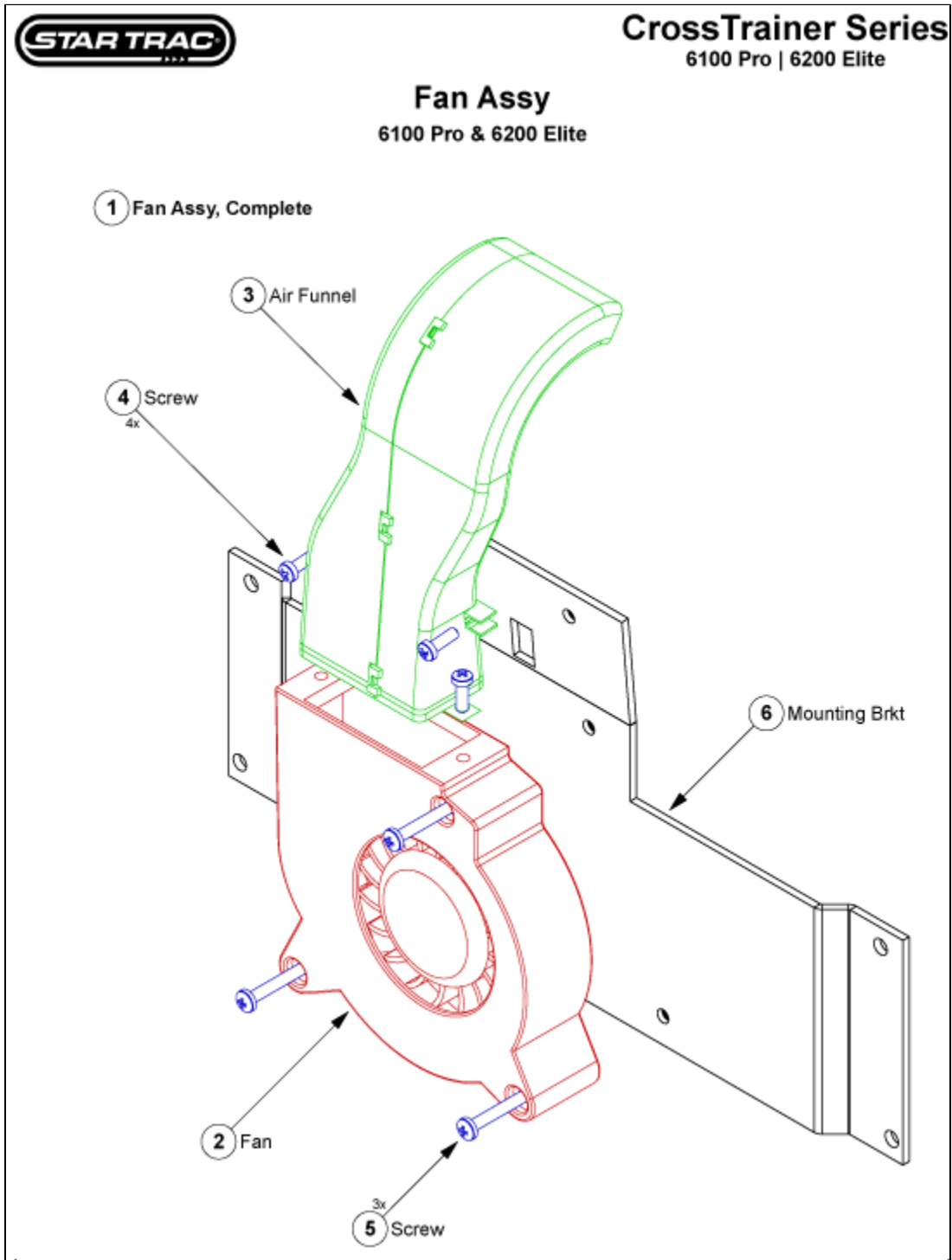


Product ID: 27 • Diagram ID: 127

# Electrical Assy

## 6200 Elite

Callout	Part Number:	Description
1	721-1045	LCB & Shield Kit, Pb6k/EL
2	260-0937-KT	*Alt* Use Part # 260-0939
3	721-1069	Assy, Idler, EI6200
4	580-0305	Battery, 6v, Ee/Nr/PB5k/6k
5	110-3026	Screw, 10-24x3/4" Phtcs
6	721-0119	Harness Assy, Comm, 6100/6200
7	721-0123	Assy, Ext Connectivity, EI6200
8	721-1083	Assy, Harness, Gen/brake, Ext
9	721-1046	Assy, Harness, Battery, EI6200
10	721-1049	Assy, Harness, Ub Interface
11	721-1044	UB Electronic Assy

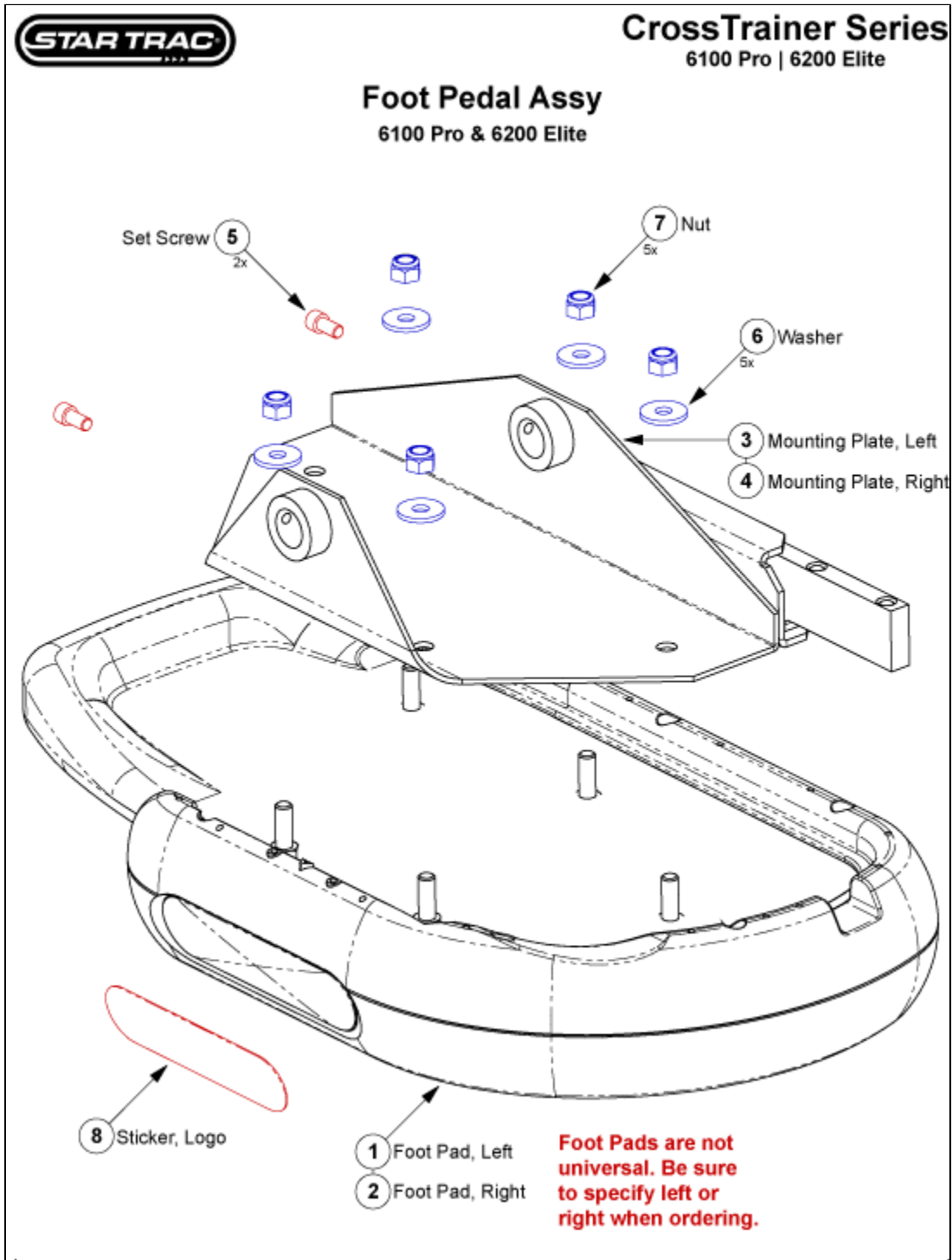


Product ID: 27 • Diagram ID: 144

# Fan Assy

Callout	Part Number:	Description
1	<b>720-5068</b>	Assy, Fan W/bracket,pro Bike
2	<b>718-1122</b>	Assy, Fan, PB6k
3	<b>020-6415</b>	Funnel, Air Guide
4	<b>110-3168</b>	Screw, M4x16 Is07045
5	<b>110-3170</b>	Screw, M4x35, Shc,he,is04762
6	<b>020-6455</b>	Brkt, Fan Support, PB6k

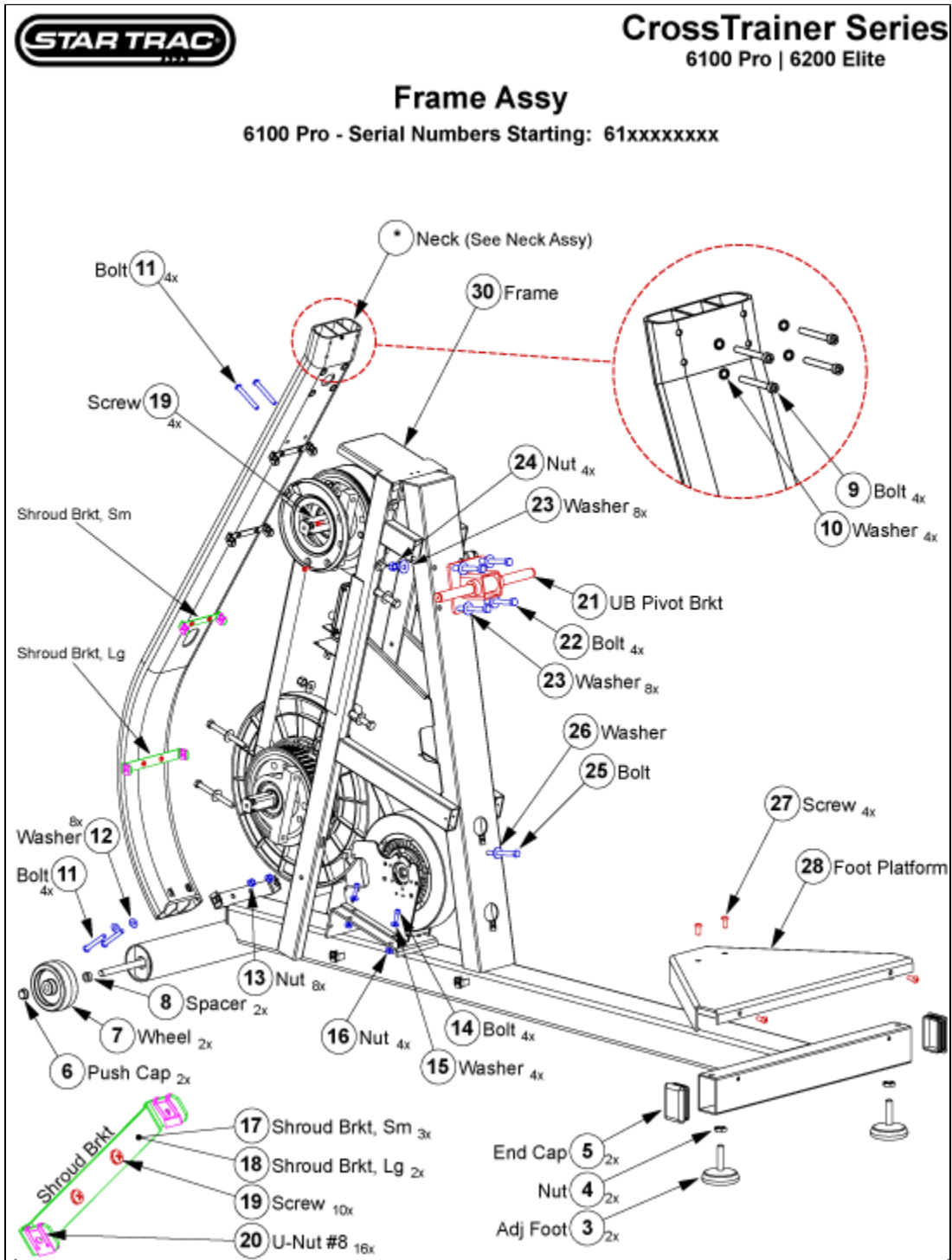




Product ID: 27 • Diagram ID: 128

# Foot Pedal Assy

Callout	Part Number:	Description
1	<b>721-1096-01</b>	Assy, Pedal Top, Left,Ct
2	<b>721-1096-02</b>	Assy, Pedal Top, Rt, Ct
3	<b>721-0114-01</b>	Weldment, Pedal Base,lf,el6200
4	<b>721-0114-02</b>	Weldment, Pedal Base,rg,el6200
5	<b>110-3315</b>	Screw, Set, Patch, 1/4-20x3/8
6	<b>120-0480</b>	Washer, 5/16" Cut
7	<b>110-1871</b>	Nut, 5/16-18
8	<b>050-1925</b>	Logo, Pedal, Startrac, EI6200

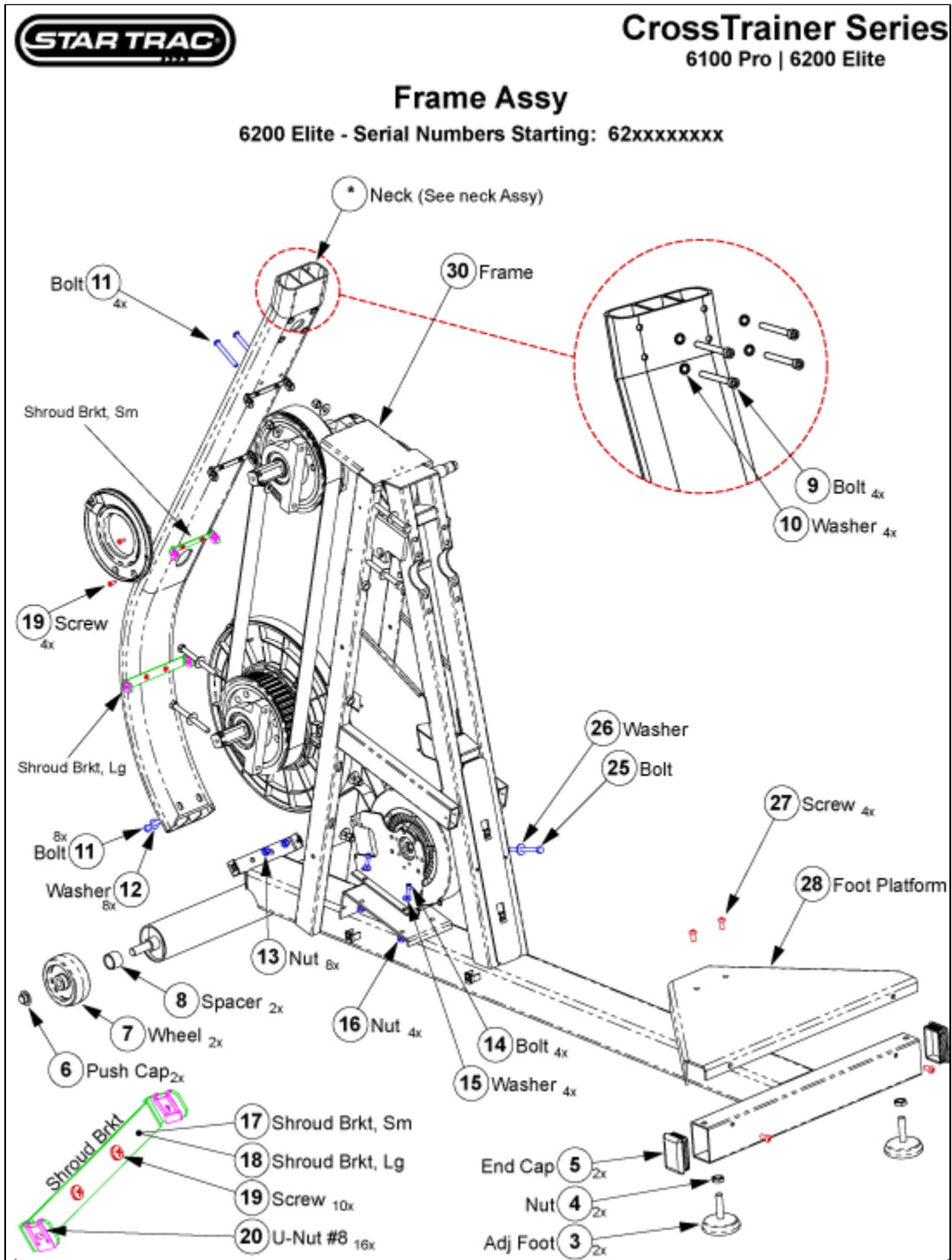


Product ID: 27 • Diagram ID: 129

# Frame Assy

## 6100 Pro

Callout	Part Number:	Description
3	<b>140-3200</b>	Adjustable Foot, 1/2-13x3.0"
4	<b>110-1823</b>	Nut, 1/2-13x5/16" Jam
5	<b>140-3140</b>	Endcap, 2x2"
6	<b>110-3344</b>	Cap, Axle, † 5/8, Push On
7	<b>130-1736</b>	Wheel, 4.0"od X 0.625" Bore Of
8	<b>020-6815</b>	Spacer, Plastic, 1.0x1.25x.85
9	<b>110-3290</b>	Screw, 5/16-18 X .50, Shcs
10	<b>120-0480</b>	Washer, 5/16" Cut
11	<b>110-3292</b>	Screw, 5/16-18x2.5,bhc,he,ss
12	<b>120-3278</b>	Washer, 5/16x.50, Ss
13	<b>110-1870</b>	Nut, 5/16-18
14	<b>110-0490</b>	Bolt, 1/4-28x3/4,shc,he,cs,zi
15	<b>120-0410</b>	Washer, 1/4" Flat
16	<b>110-3301</b>	Nut, 1/4-28, Hex Serrated-flan
17	<b>020-6668</b>	Bracket, Shroud Mount, EI6200
18	<b>020-6669</b>	Bracket, Shroud, Long, EI6200
19	<b>110-3026</b>	Screw, 10-24x3/4" Phtcs
20	<b>140-3323</b>	U-nut, #8, Panel .025-.125
21	<b>721-1055</b>	Assy, Pivot Point, EI6100
23	<b>120-0463</b>	Washer, 3/8x1.0" Flat
24	<b>120-0480</b>	Washer, 5/16" Cut
25	<b>110-3343</b>	Bolt, 5/16-18x4.5,hhc,cs,zp
26	<b>120-0480</b>	Washer, 5/16" Cut
27	<b>110-3298</b>	Screw,5/16-18x.75,bhc,he,ss
28	<b>020-6577</b>	Foot Platform Base
30	<b>710-1044</b>	Frame. Finished, Front, EI6100

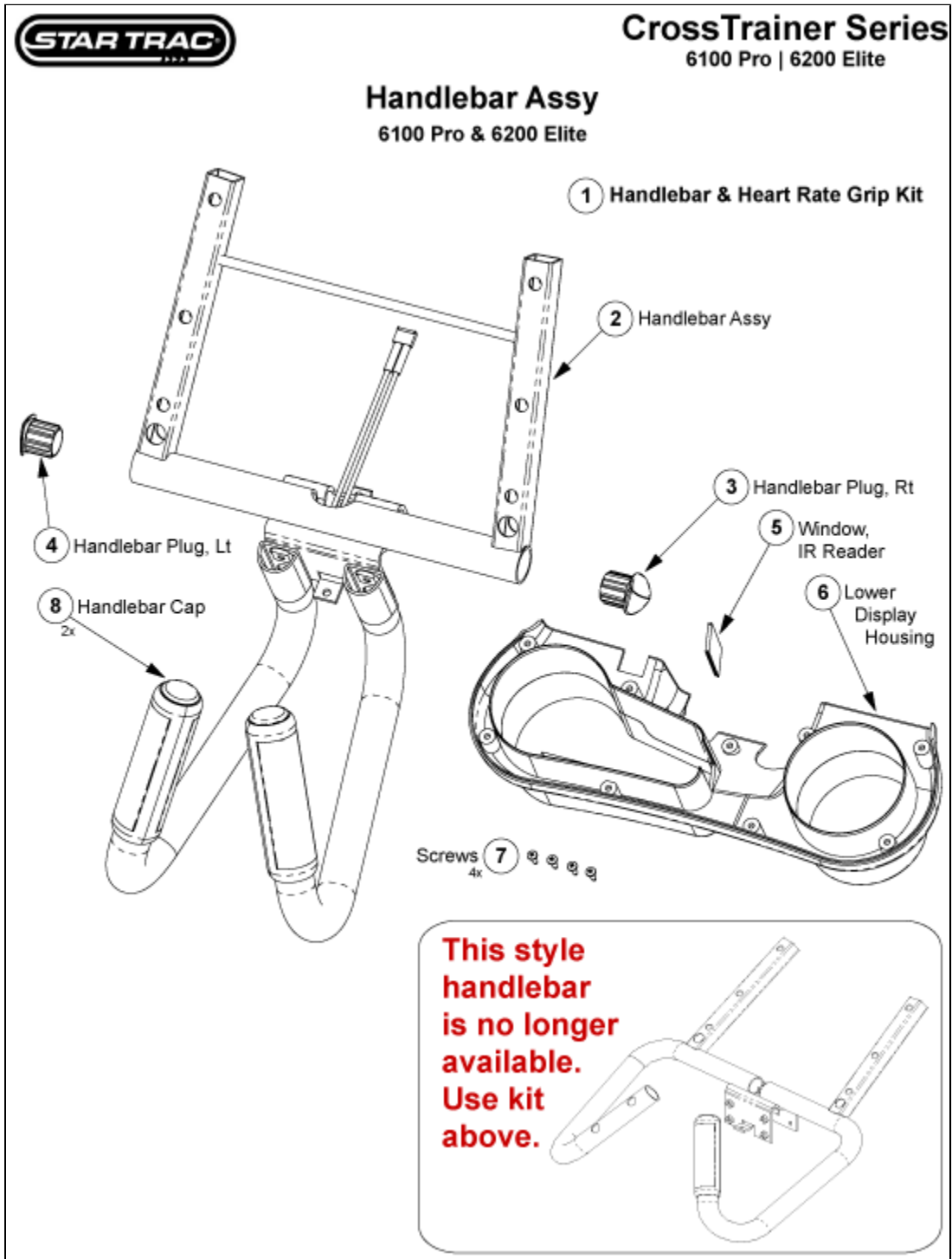


Product ID: 27 • Diagram ID: 130

# Frame Assy

## 6200 Elite

Callout	Part Number:	Description
3	<b>140-3200</b>	Adjustable Foot, 1/2-13x3.0"
4	<b>110-1823</b>	Nut, 1/2-13x5/16" Jam
5	<b>140-3140</b>	Endcap, 2x2"
6	<b>110-3344</b>	Cap, Axle, † 5/8, Push On
7	<b>130-1736</b>	Wheel, 4.0"od X 0.625" Bore Of
8	<b>020-6815</b>	Spacer, Plastic, 1.0x1.25x.85
9	<b>110-3290</b>	Screw, 5/16-18 X .50, Shcs
10	<b>120-0480</b>	Washer, 5/16" Cut
11	<b>110-3292</b>	Screw, 5/16-18x2.5,bhc,he,ss
12	<b>120-3278</b>	Washer, 5/16x.50, Ss
13	<b>110-1870</b>	Nut, 5/16-18
14	<b>110-0490</b>	Bolt, 1/4-28x3/4,shc,he,cs,zi
15	<b>120-0410</b>	Washer, 1/4" Flat
16	<b>110-3301</b>	Nut, 1/4-28, Hex Serrated-flan
17	<b>020-6668</b>	Bracket, Shroud Mount, EI6200
18	<b>020-6669</b>	Bracket, Shroud, Long, EI6200
19	<b>110-3026</b>	Screw, 10-24x3/4" Phtcs
20	<b>140-3323</b>	U-nut, #8, Panel .025-.125
25	<b>110-3343</b>	Bolt, 5/16-18x4.5,hhc,cs,zp
26	<b>120-0480</b>	Washer, 5/16" Cut
27	<b>110-3298</b>	Screw, 5/16-18x.75,bhc,he,ss
28	<b>020-6577</b>	Foot Platform Base
30	<b>710-1059</b>	Frame, Finished, Front, EI6200

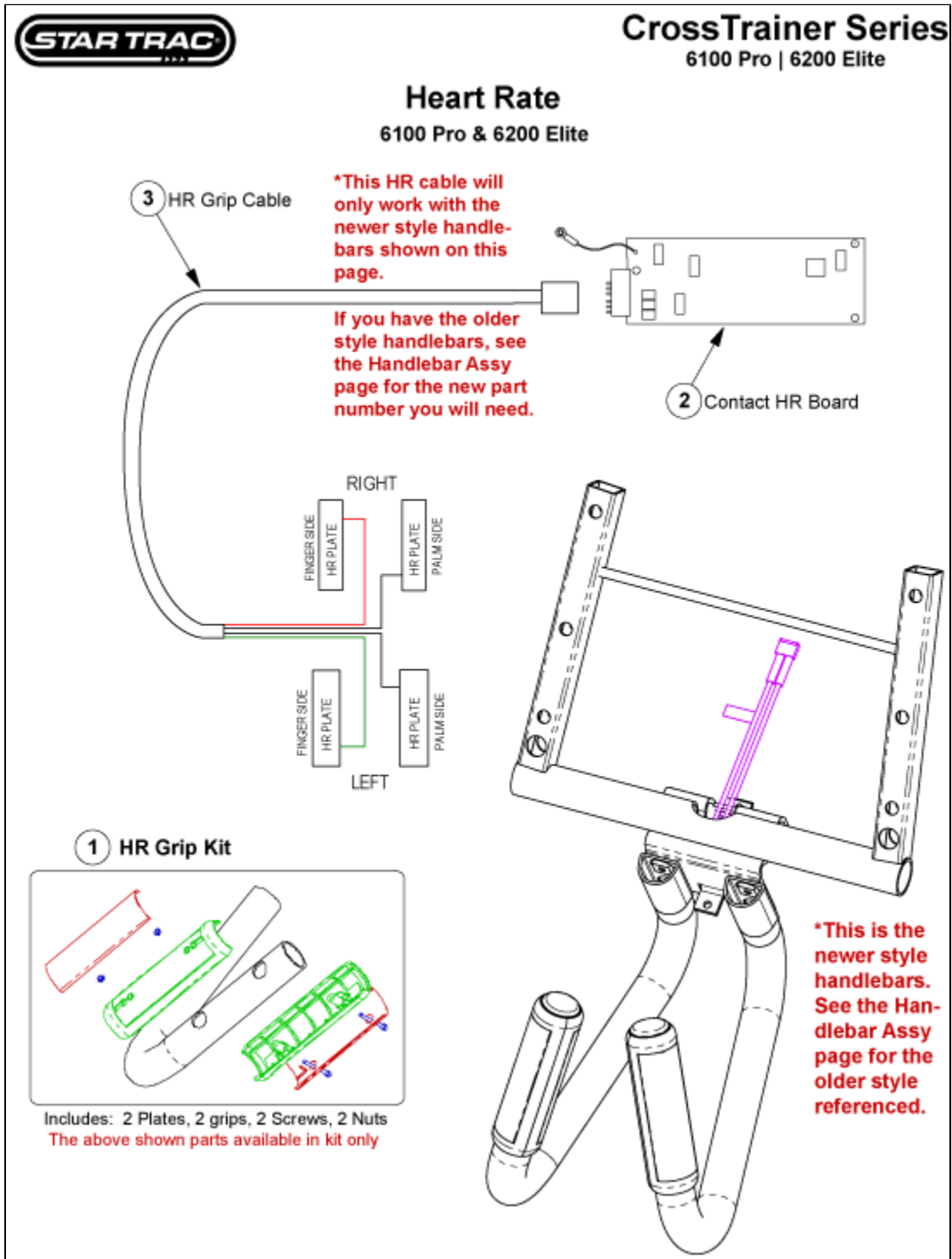


Product ID: 27 • Diagram ID: 131

# Handlebar Assy

Callout	Part Number:	Description
1	721-1098-KT	Kit, Hr Bar & Grips, Field
2	721-1098	Assy, Hr Bar & Grips, Retro,
3	020-6870-01	Plug, Cap, L, Display, EI6200
4	020-6870-02	Plug, Cap, R, Display, EI6200
5	020-6460	Window, Ir Reader
6	020-6885	Disp Housing, Bottom, PB6k
7	110-3165	Screw, M4xO.7x201, pht,ph,cs,zi

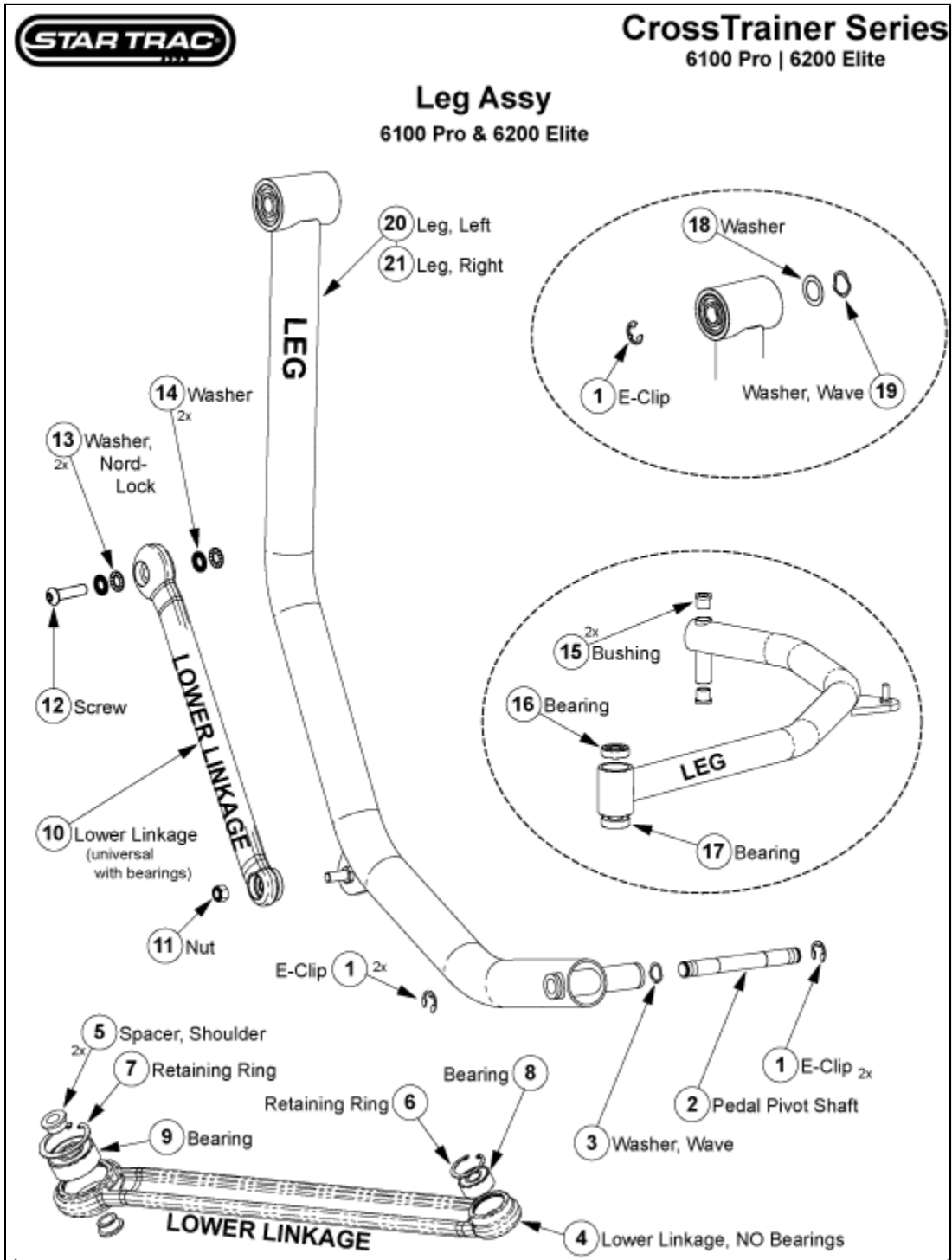




Product ID: 27 • Diagram ID: 132

# Heart Rate

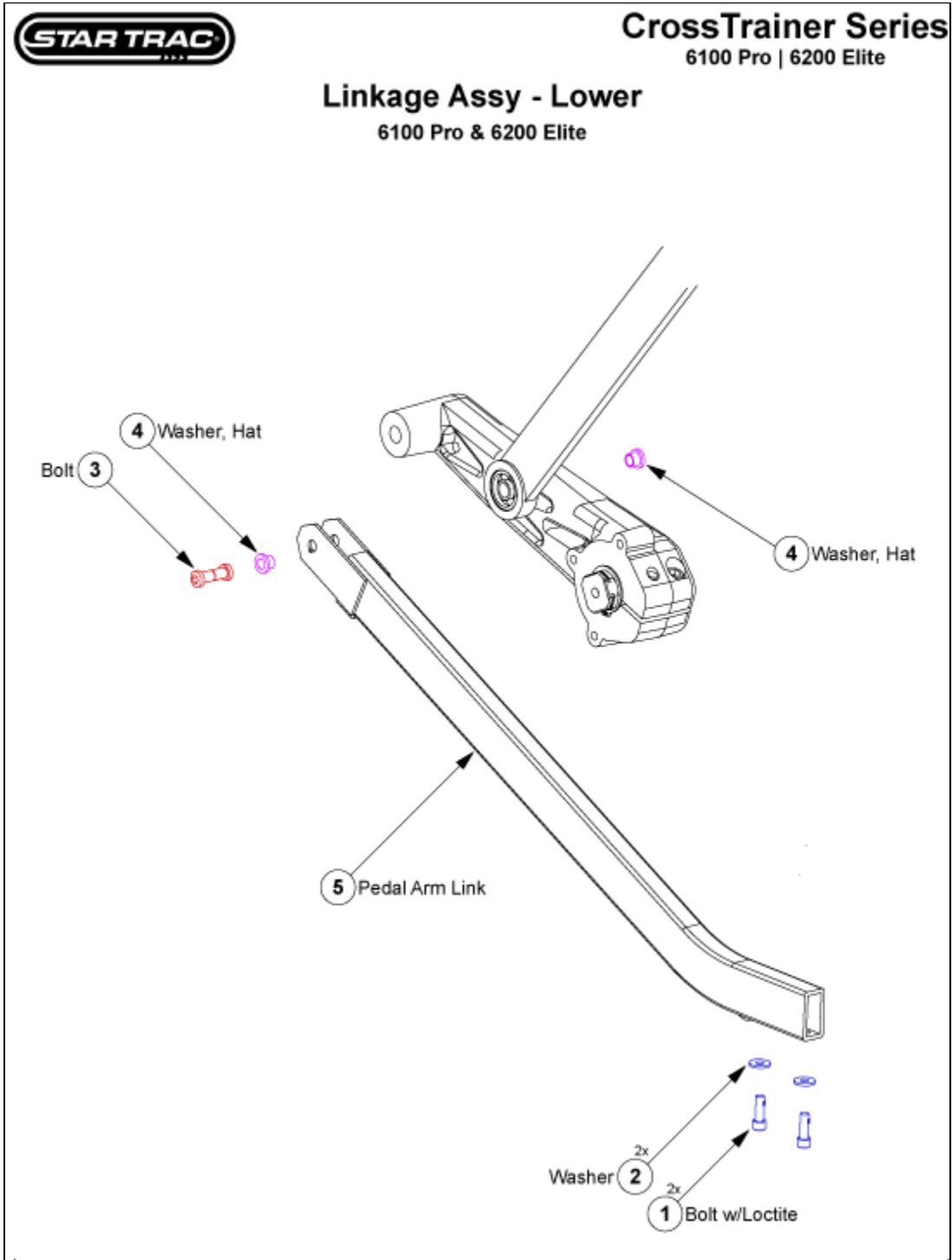
Callout	Part Number:	Description
1	800-3904	HR Grip Kit, one side
2	718-1129	Pcb, Hr Contact, Ub/rb Pro
3	721-0069	Cable, Grips-Hr Brd



Product ID: 27 • Diagram ID: 133

# Leg Assy

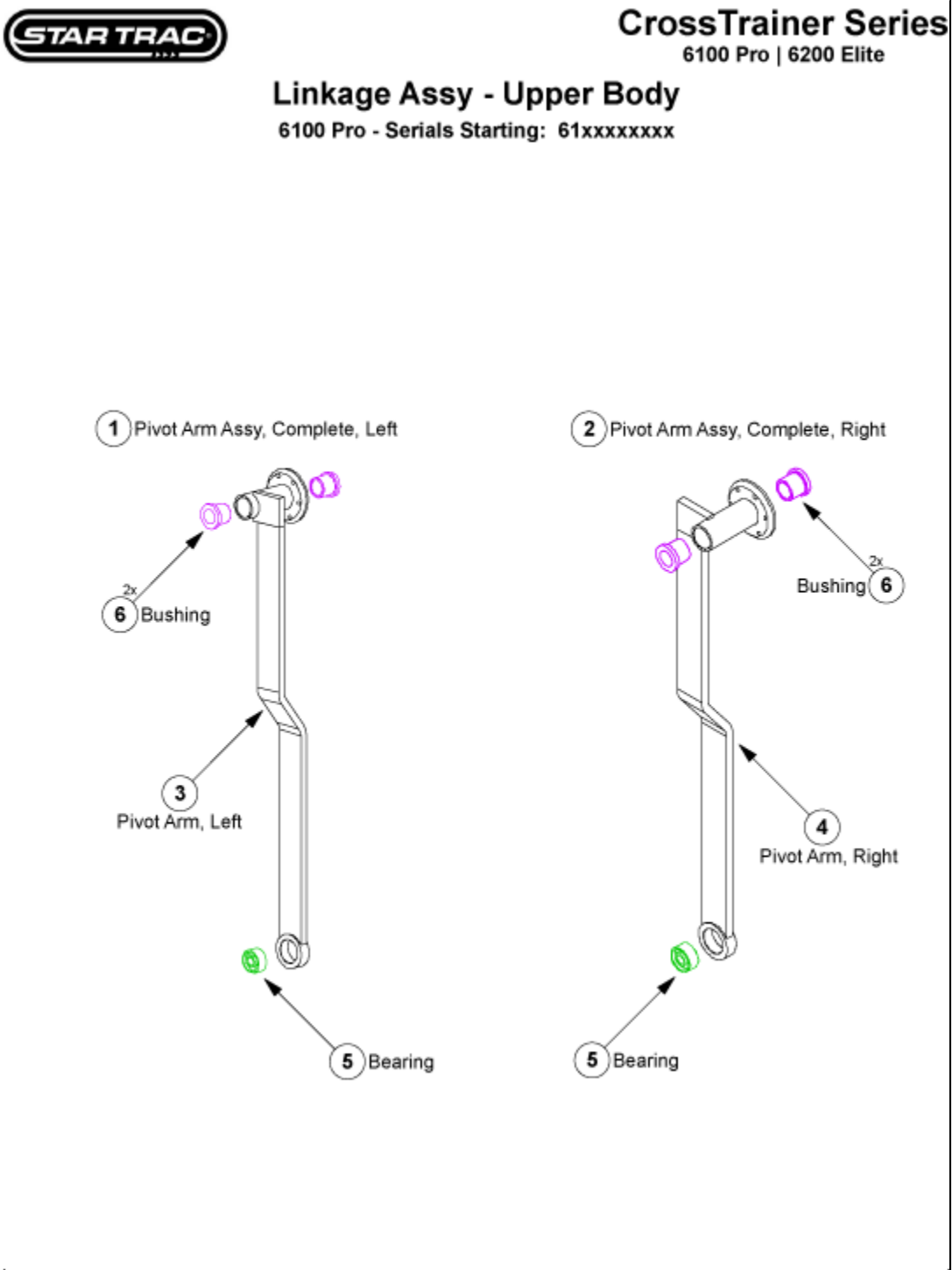
Callout	Part Number:	Description
1	140-0940	E-clip 3/4"
2	020-6628	Shaft, Pedal Pivot, EI6200
3	120-0505	Washer, 3/4" id
4	020-6617	Cast, Lower Linkage, EI6200
5	020-6635	Spacer, Shoulder, 20mm Od
6	140-3303	Ring, Retainer, Int, 1.25x.05"
7	140-3304	Ring, Retainr, Int, 1.87x.062"
8	130-1717	Bearing, Ball, Self-alig, 2201
9	130-1718	Bearing, Ball, Self-alig, 2204
10	721-0126	Assy, Lower Linkage, EI6200
11	110-3295	Nut, M12, Is07040, Nylon
12	110-3291	Screw, 1/2-13-1.5,bhc,he,ss
14	120-3293	Washer,locking,nord-lock 1/2"
15	130-1728	Bearing, .75 Idx1" Od 1.0 Bze
16	130-1722	Bearing, 6304, 20x52x15
17	130-0310	Bearing, 6205zz, abec1, 25x52x15
18	120-0411	Washer, 1.0"
19	120-0510	Washer, 1.0"
20	721-0128-01	Assy, Leg, Left, EI6200
21	721-0128-02	Assy, Leg, Right, EI6200



Product ID: 27 • Diagram ID: 134

# Linkage Assy - Lower

Callout	Part Number:	Description
1	<b>110-3104</b>	Bolt, 1/4-20x3/4" Shes
2	<b>120-0410</b>	Washer, 1/4" Flat
3	<b>110-3313</b>	Bolt, M/f Assy,24mm Span,7.9mm
4	<b>020-6781</b>	Washer, Hat, Ub Linkage
5	<b>020-6867</b>	Link, Pedal Arm, EI6200



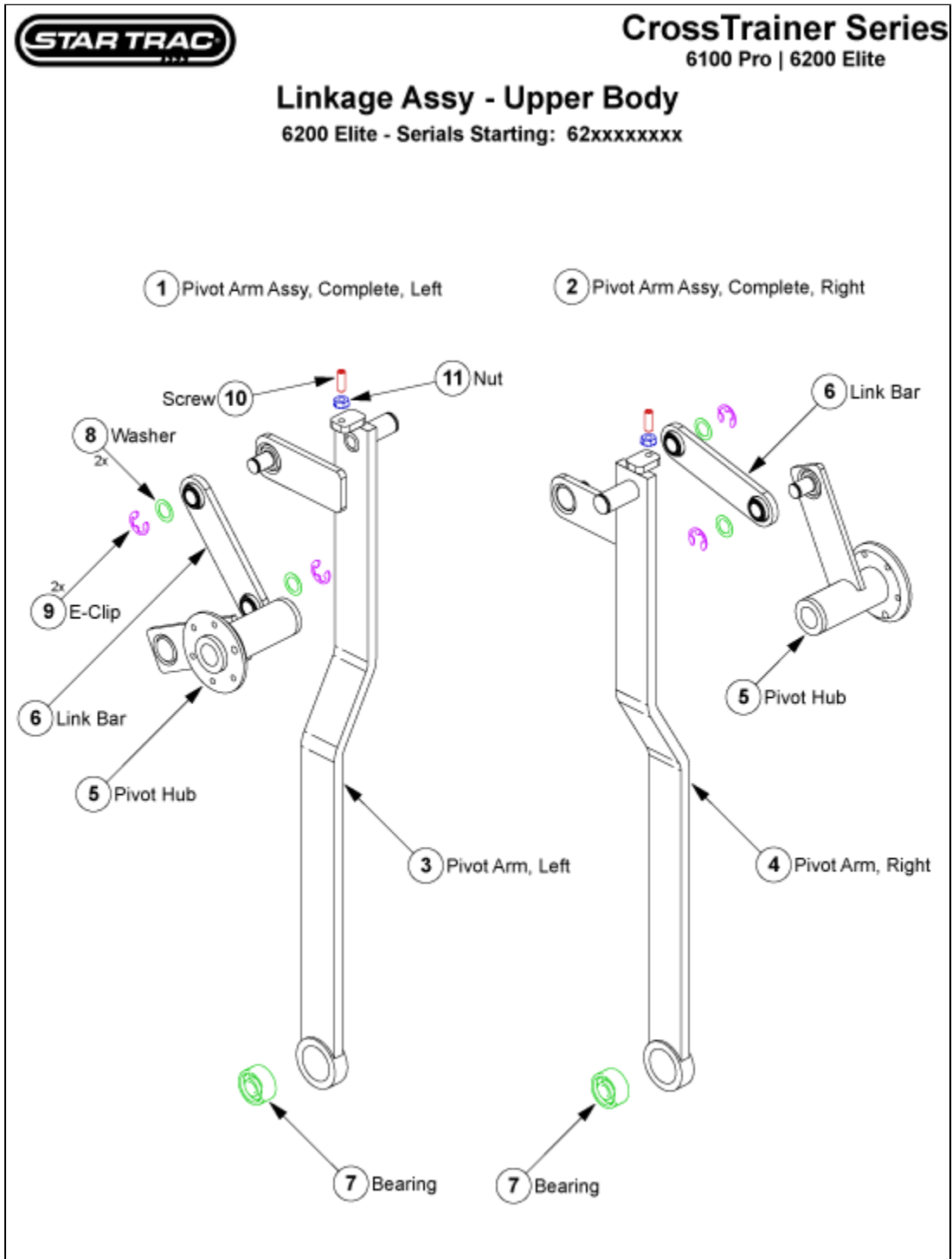
Product ID: 27 • Diagram ID: 139

# Linkage - Upper Body

## 6100 Pro

Callout	Part Number:	Description
1	<b>721-1053-01</b>	Assy, Pivot, Arm, Left
2	<b>721-1053-02</b>	Assy, Pivot, Arm, Right
3	<b>721-1054-01</b>	Weldment. Hub, Arm, Left
4	<b>721-1054-02</b>	Weldment, Hub, Arm, Right
5	<b>130-1729</b>	Bearing, 2200, 30x10x14, Sif A
6	<b>130-1728</b>	Bearing, .75 Idx1" Od 1.0 Bze

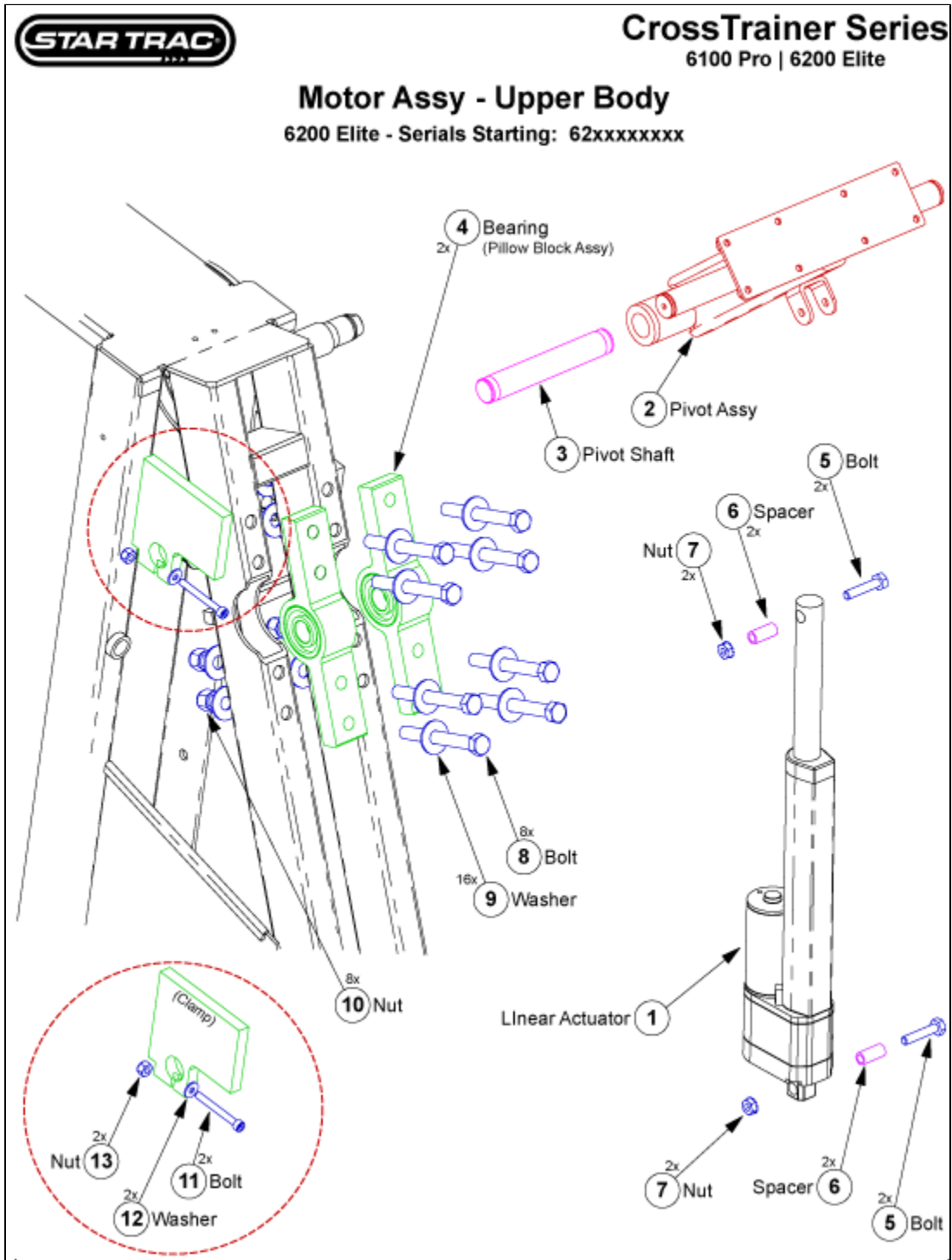




# Linkage - Upper Body

## 6200 Elite

Callout	Part Number:	Description
1	<b>721-1061-01</b>	Assy, Ub Linkage, Left
2	<b>721-1061-02</b>	Assy, Ub Linkage, Right
3	<b>721-1036-01</b>	Assy, Arm, Lower, Left
4	<b>721-1036-02</b>	Assy, Arm, Lower, Right
5	<b>721-1038</b>	Assy, Pivot, Arm, EI6200
6	<b>721-1733</b>	Link, .50" Id Bearing X 4.0"cc
7	<b>130-1729</b>	Bearing, 2200, 30x10x14, Sif A
8	<b>120-3297</b>	Shim, 1/2id X 3/4 Od X .015 Th
9	<b>140-3316</b>	E-ring, .500
10	<b>110-3302</b>	Screw, Set, Socket, Ss, 1/4-20
11	<b>110-1810</b>	Nut, 1/4-20 Kep

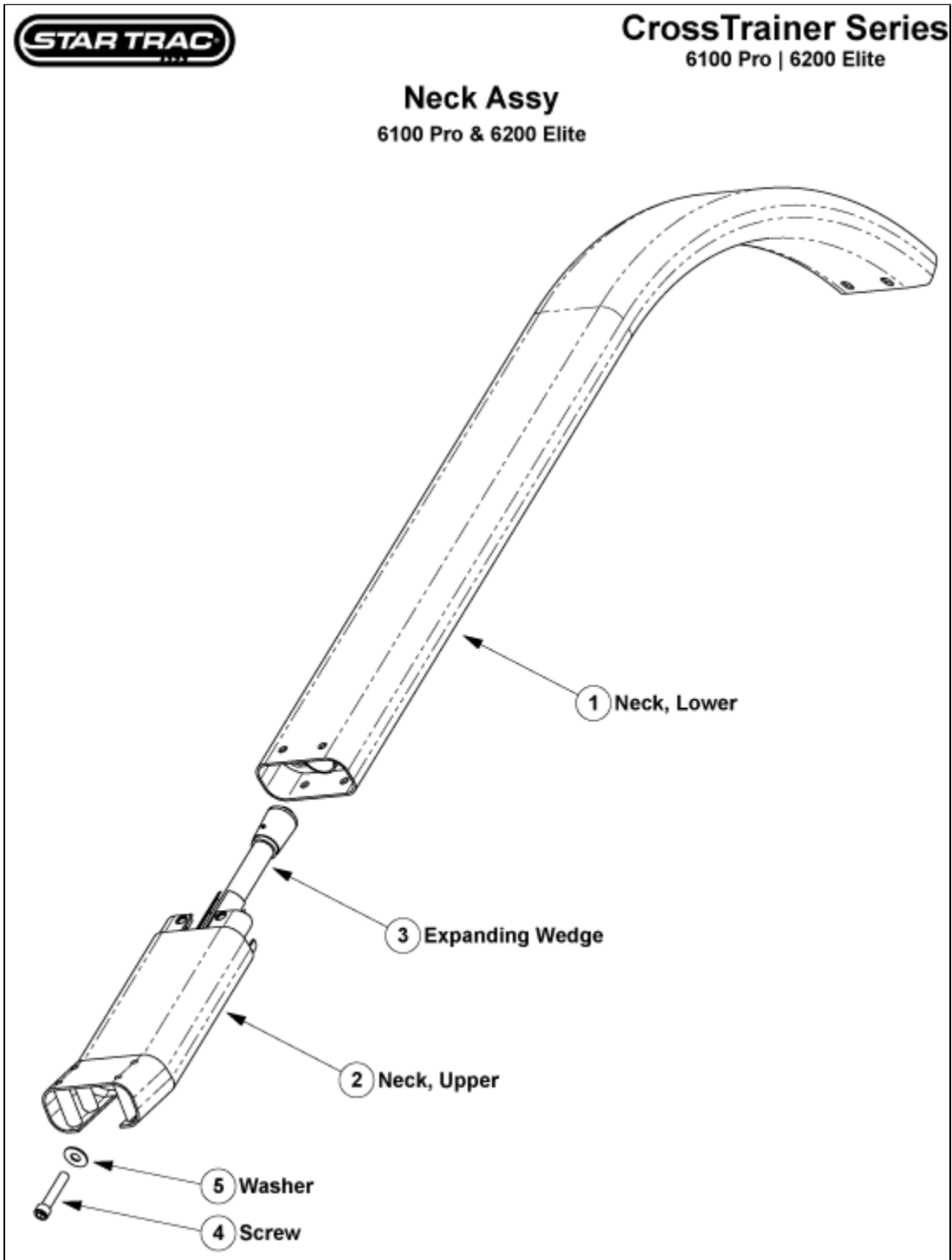


Product ID: 27 • Diagram ID: 141

# Motor Assy - Upper Body

## 6200 Elite

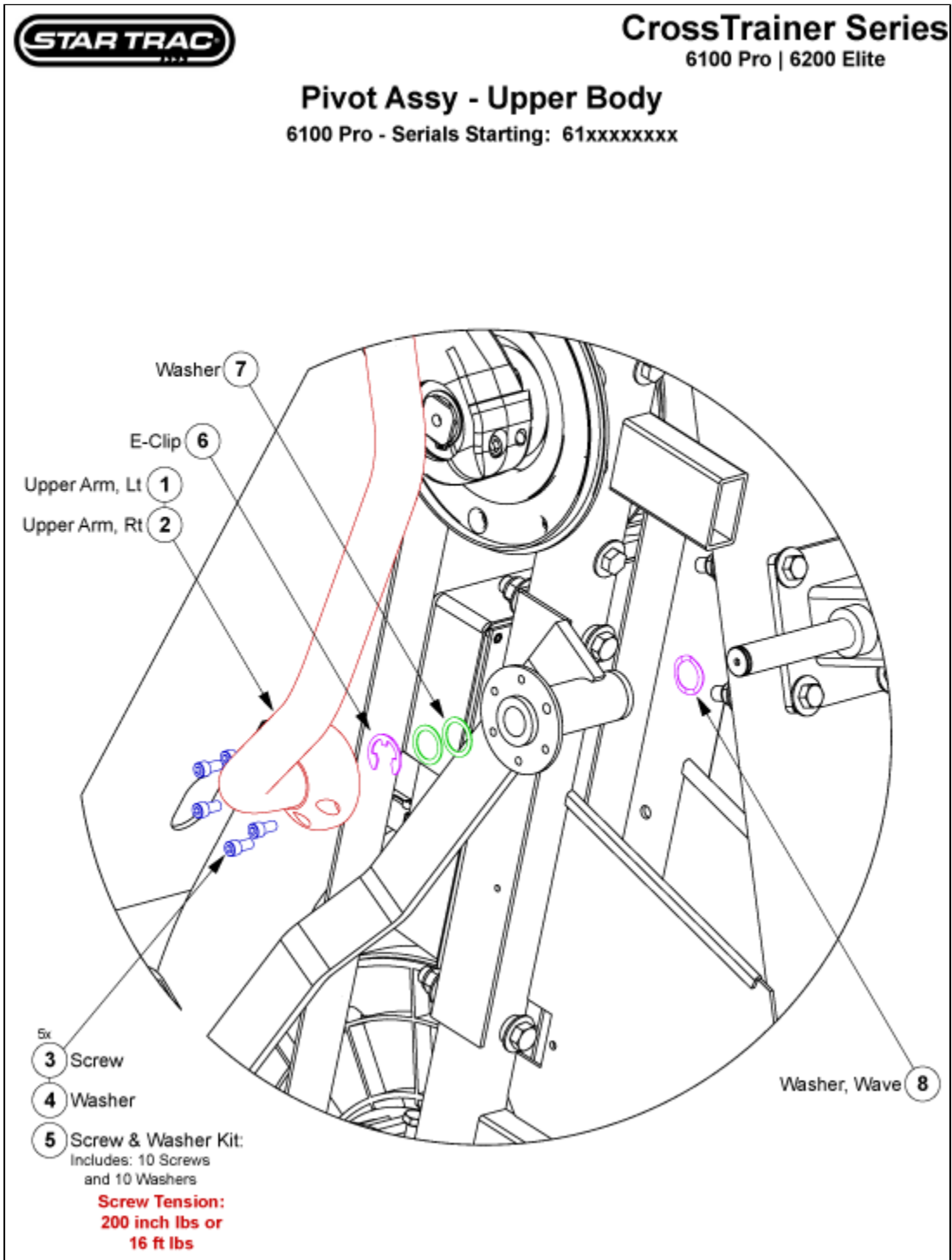
Callout	Part Number:	Description
1	260-0936	Actuator, Screw, EI6200
2	721-1039	Assy, Pivot, Upper, EI6200
3	020-6642	Shaft, Axle, Pivot, Arm
4	721-1062	Assy, Pillowblock,
5	110-0575	Screw, 1/4-20x1 .25,hhc,he,cs,z
6	020-6634	Base, Pedal Side Logo, EI6200
7	110-1810	Nut, 1/4-20 Kep
8	110-3113	Bolt, 3/8-16x3.25" Hhcs
9	120-0463	Washer, 3/8x1.0" Flat
10	110-1830	Nut, 3/8-16 Hex, nyloc
11	110-3311	Screw, 10-32x1.75,shc,he,cs,bo
12	120-0341	Washer, #10 Flat Sae
13	110-3314	Nut, 10-32, Nyloc



Product ID: 27 • Diagram ID: 230

# Neck Assy

Callout	Part Number:	Description
1	020-6909	Neck, Split Lower Ct, Steel
2	020-6910	Neck, Split Upper Ct, Steel
3	020-6911	Neck, Split Ct, Expanding Wedg
4	110-3376	Screw, 3/8-16x2 Shes, Full-thd
5	120-0463	Washer, 3/8x1.0" Flat



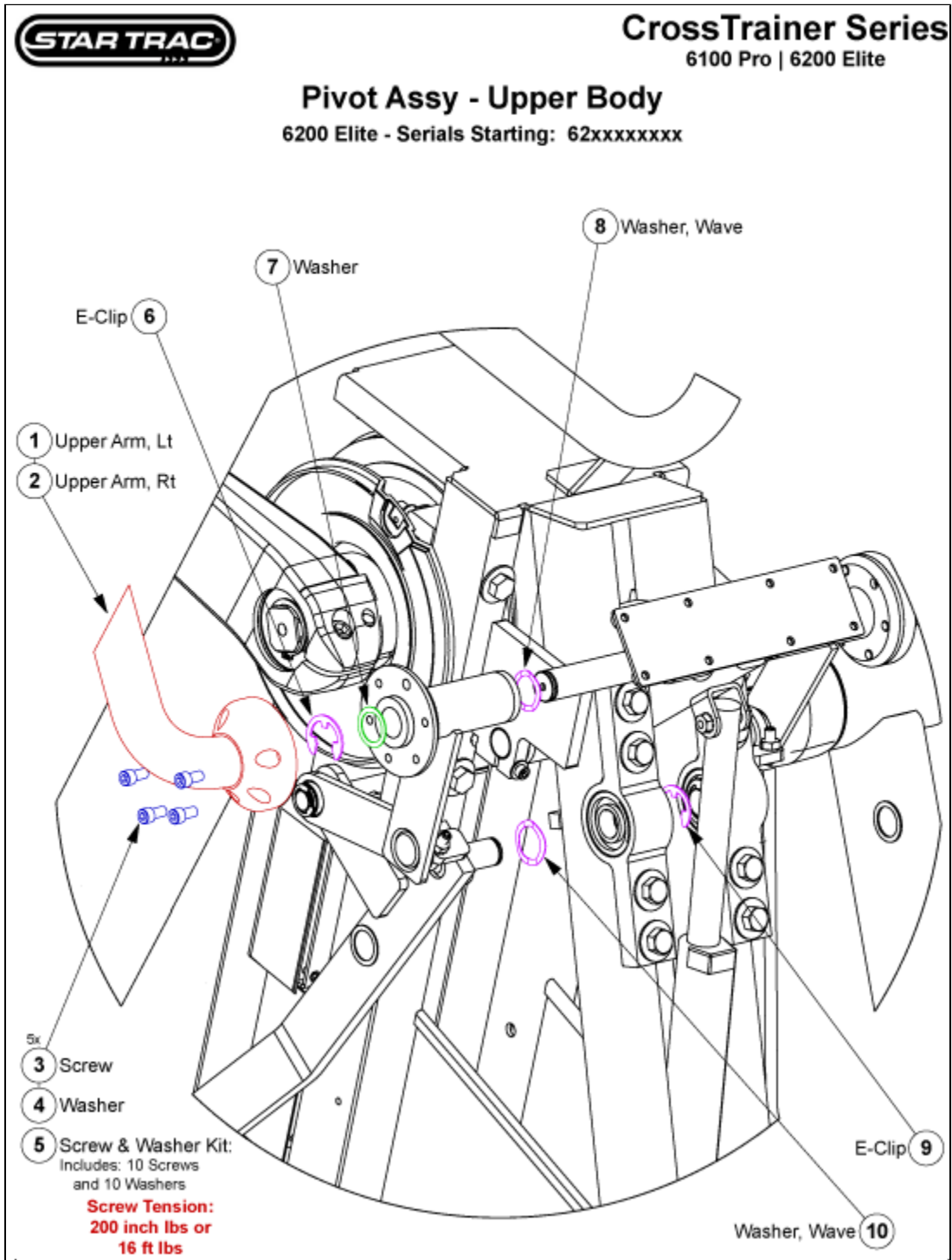
Product ID: 27 • Diagram ID: 142

# Pivot Assy - Upper Body

## 6100 Pro

Callout	Part Number:	Description
1	721-0135-01	Weldment, Arm. Left, Ub
2	721-0135-02	Weldment, Arm, Right, Ub
3	110-3346	*Alt* Use Part # 110-2150
4	120-3257	Washer, M6 Teeth
5	110-3346-KT	*Alt* See Special Notes
6	140-0940	E-c1ip 3/4"
7	120-3015	Washer, 3/4x .032" Flat
8	120-0505	Washer, 3/4" id

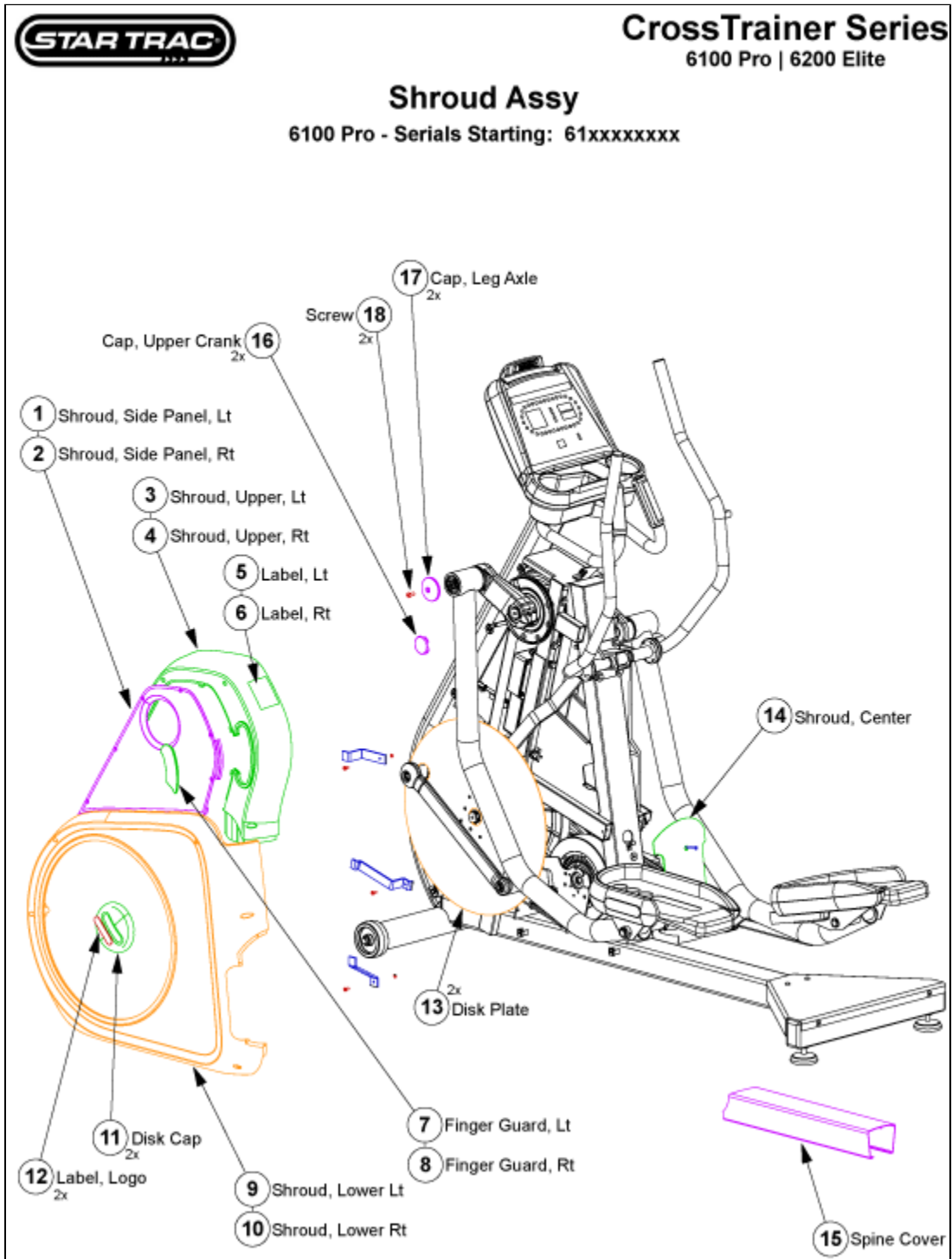




# Pivot Assy - Upper Body

## 6200 Elite

Callout	Part Number:	Description
1	<b>721-0135-01</b>	Weldment, Arm. Left, Ub
2	<b>721-0135-02</b>	Weldment, Arm, Right, Ub
3	<b>110-3346</b>	*Alt* Use Part # 110-2150
4	<b>120-3257</b>	Washer, M6 Teeth
5	<b>110-3346-KT</b>	*Alt* See Special Notes
6	<b>140-0940</b>	E-clip 3/4"
7	<b>120-3015</b>	Washer, 3/4x .032" Flat
8	<b>120-0505</b>	Washer, 3/4" id
9	<b>140-3313</b>	E-clip, 5/8"
10	<b>120-3284</b>	Washer, 11/16 Wave 302 Ss/pln

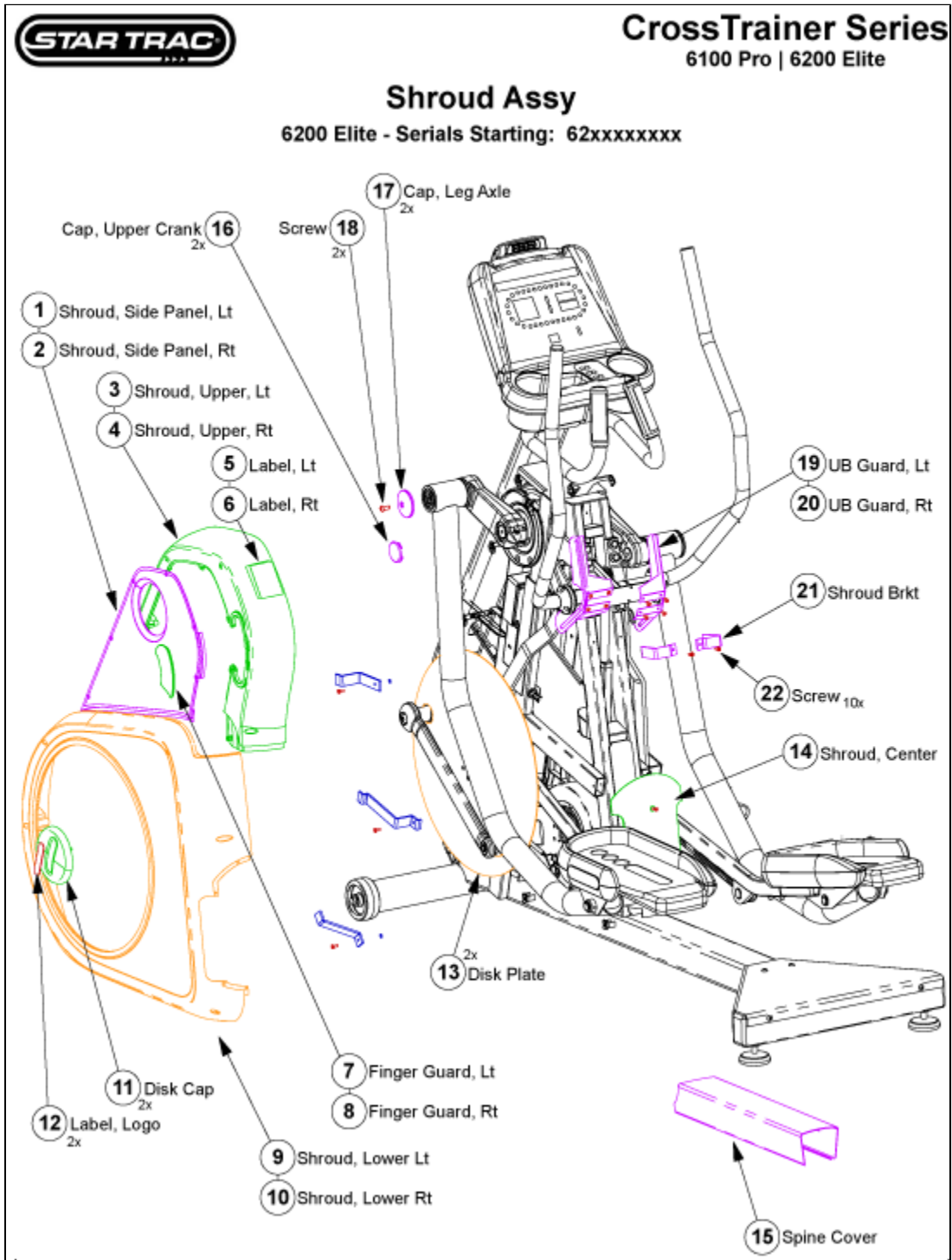


Product ID: 27 • Diagram ID: 135

# Shroud Assy

## 6100 Pro

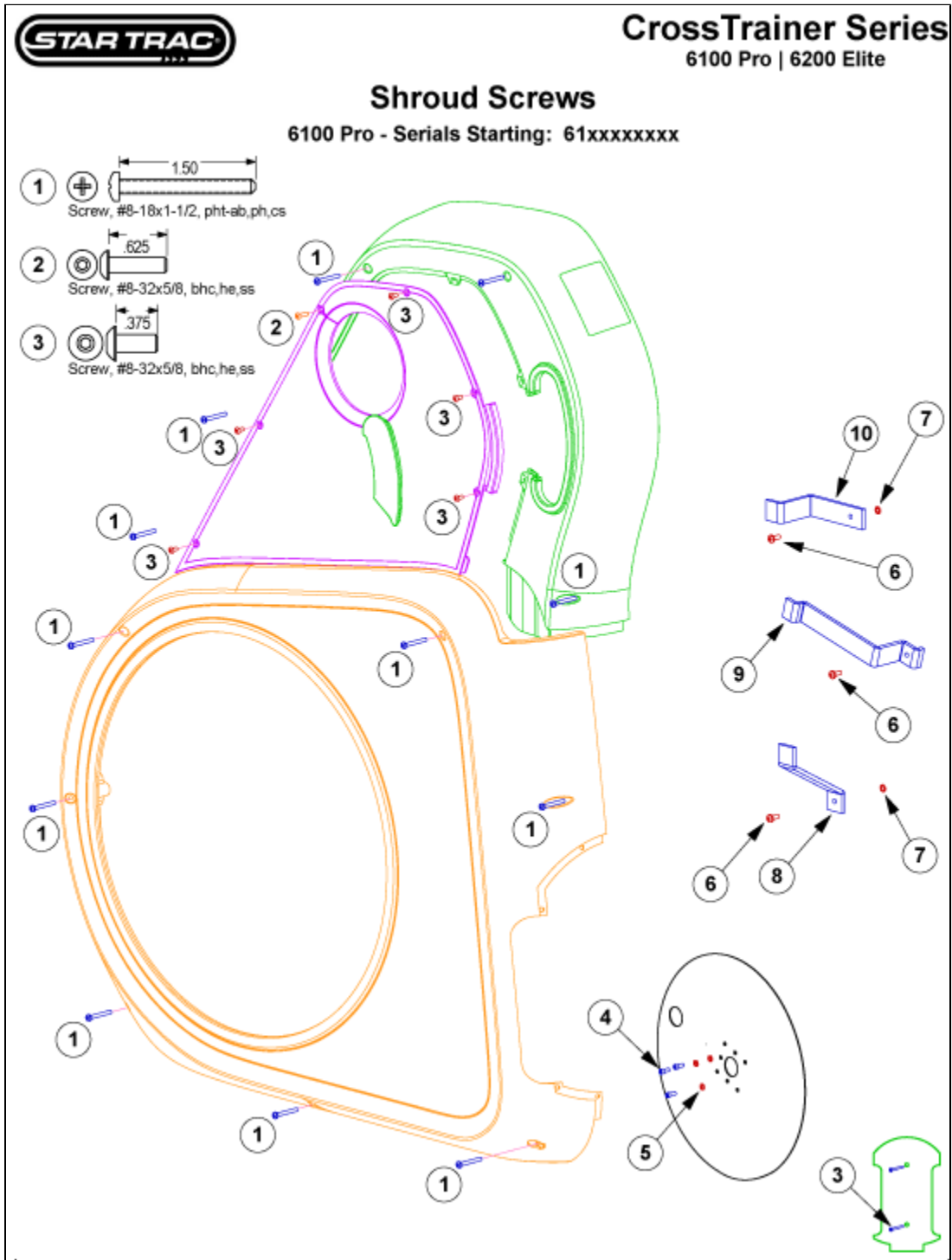
Callout	Part Number:	Description
1	721-1074-01	Assy, Shoud Panel, Lf, EI6100
2	721-1074-02	Assy, Shoud Panel, Rg, EI6100
3	721-1075-01	Assy, Shroud Top, Lf, EI6100
4	721-1075-02	Assy, Shroud Top, Rg, EI6100
5	050-1935-01	Label, Muscle Pas 1, EI6200
6	050-1935-02	Label, Muscle Pas 2, EI6200
7	020-6784-01	Cover, Finger Guard, Lf, EI610
8	020-6784-02	Cover, Finger Guard, Right, EI
9	721-1072-01	Assy, Shroud Lower, Lf, EI6200
10	721-1072-02	Assy, Shroud Lower, Rg, EI6200
11	721-1081	Assy, Disc Cap, EI6200
12	050-1887	Label, Logo, ST, Pro Bike
13	020-6623	Guard, Disk Plate, EI6200
14	020-6633	Shroud, Center Cover, EI6200
15	020-6800	Cover, Center Tube, Ct6200
16	140-3300	Cap, Upper Crank, EI6200
17	140-3301	Cap, Leg Axle Housing, EI6200
18	110-3298	Screw,5/16-18x.75,bhc,he,ss



# Shroud Assy

## 6200 Elite

Callout	Part Number:	Description
1	721-1073-01	Assy, Shroud Panel, Lf, EI600
2	721-1073-02	Assy, Shroud Panel, Rg, EI6200
3	721-1071-01	Assy, Shroud Top, Lf, EI6200
4	721-1071-02	Assy, Shroud Top, Rg, EI6200
5	050-1935-01	Label, Muscle Pas 1, EI6200
6	050-1935-02	Label, Muscle Pas 2, EI6200
7	020-6784-01	Cover, Finger Guard, Lf, EI610
8	020-6784-02	Cover, Finger Guard, Right, EI610
9	721-1072-01	Assy, Shroud Lower, Lf, EI6200
10	721-1072-02	Assy, Shroud Lower, Rg, EI6200
11	721-1081	Assy, Disc Cap, EI6200
12	050-1887	Label, Logo, ST, Pro Bike
13	020-6623	Guard, Disk Plate, EI6200
14	020-6633	Shroud, Center Cover, EI6200
15	020-6800	Cover, Center Tube, Ct6200
16	140-3300	Cap, Upper Crank, EI6200
17	140-3301	Cap, Leg Axle Housing, EI6200
18	110-3298	Screw, 5/16-18x.75,bhc,he,ss
19	020-6678-01	Bracket, Guard, Ub, Lf, EI6200
20	020-6678-02	Bracket, Guard, Ub, Rg, EI6200
21	020-6819	Bracket, Shroud-2, EI6200
22	110-3026	Screw, 10-24x3/4" Phtcs



# Shroud Screws

## 6100 Pro

Callout	Part Number:	Description
1	<b>110-0286</b>	Screw, #8-18x1-1/2,pht-ab,ph
2	<b>110-3342</b>	Bolt, 5/16-18x4-1/2 Hhc, Cs, Z
3	<b>110-3341</b>	Bolt, 8-32x3/8, Bhc,he,ss
4	<b>110-3290</b>	Screw, 5/16-18 X .50, Shcs
5	<b>120-0495</b>	Washer, 5/16" Cut
6	<b>110-3026</b>	Screw, 10-24x3/4" Phtcs
7	<b>120-0220</b>	Washer, #10 Ext Tooth
8	<b>110-0380</b>	Screw, 10-32x3/8"
9	<b>020-6820</b>	Bracket, Shroud-3, EI6200
10	<b>020-6818</b>	Bracket, Shroud-1, EI6200





# Shroud Screws

## 6200 Elite

Callout	Part Number:	Description
1	110-0286	Screw, #8-18x1-1/2,pht-ab,ph
2	110-3342	Bolt, 5/16-18x4-1/2 Hhc, Cs, Z
3	110-3341	Bolt, 8-32x3/8, Bhc,he,ss
4	110-3290	Screw, 5/16-18 X .50, Shcs
5	120-0495	Washer, 5/16" Cut
6	110-3026	Screw, 10-24x3/4" Phtcs
7	120-0220	Washer, #10 Ext Tooth
8	110-0380	Screw, 10-32x3/8"
9	020-6820	Bracket, Shroud-3, EI6200
10	020-6818	Bracket, Shroud-1, EI6200
11	020-6821	Bracket, Shroud-4, EI6200
12	020-6819	Bracket, Shroud-2, EI6200
13	020-6678-01	Bracket, Guard, Ub, Lf, EI6200
14	020-6678-02	Bracket, Guard, Ub, Rg, EI6200